



D-1105

## F19-V & 19-V




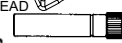




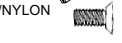













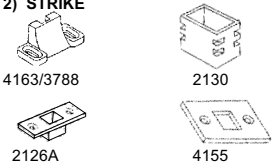
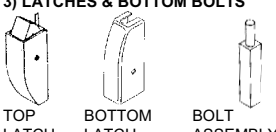
Exit Devices

Installation Instructions

# 1 PARTS CHECK

- 1) MAKE SURE THE CORRECT DEVICE IS BEING USED.
- 2) MAKE SURE DEVICE IS CORRECT HANDING, IF NOT, SEE PAGE 10 (FIGURE 1 OR FIGURE 2).
- 3) MAKE SURE ALL NEEDED PARTS ARE ON HAND.

**NOTE: LIST DOES NOT REFLECT ALL POSSIBLE APPLICATIONS.**

<p><b>1) (F) 19-V DEVICE</b></p>  <p><b>NOTE: DEVICE IS FIELD REVERSIBLE</b></p>	<p><b>4) SCREW PACK FOR PANIC DEVICE</b></p> <p>DOGGING KEY (1 QTY.) </p> <p>MOUNTING BRACKET (1 QTY.) </p> <p>SEX BOLT – 1/4"-20 THREAD (3 QTY.) </p> <p>1/4" - 20 x 3/4" TPHMS (1 QTY.) </p> <p>1/4" - 20 x 3/4" FPHMS (2 QTY.) </p> <p>#10 x 1-1/4" FPHSMS (6 QTY., 2 FINISHED) </p> <p>CHANNEL END CAP (1 QTY.) </p> <p>#10-24 x 3/8" UFPHMS w/NYLON PATCH (2 BLACK) </p> <p>#10 x 1-1/4" PPHSMS (6 QTY. [4 BLACK]) </p> <p>1/8" x 3/4" COTTER KEY (2 QTY) </p> <p>ROD GUIDE (2 QTY.) </p>	<p><b>5) SCREW PACK FOR FIRE DEVICE</b></p> <p>MOUNTING BRACKET (1 QTY.) </p> <p>SEX BOLT – 1/4" - 20 THREAD (3 QTY.) </p> <p>1/4" - 20 X 3/4" TPHMS (1 QTY.) </p> <p>1/4" - 20 x 3/4" FPHSMS (2 QTY.) </p> <p>#10 - 24 X 3/4" FPHMS (6 QTY.) </p> <p>CHANNEL END CAP (1 QTY.) </p> <p>#10-24 x 3/8" UFPHMS w/NYLON PATCH (2 BLACK) </p> <p>#10 - 24 x 3/4" PPHSMS (6 QTY. [4 BLACK]) </p> <p>1/8" x 3/4" COTTER KEY (2 QTY) </p> <p>ROD GUIDE (2 QTY.) </p>																		
<p><b>2) STRIKE</b></p>  <p>4163/3788      2130</p> <p>2126A      4155</p> <table border="0"> <tr> <td>FIRE</td> <td>TOP</td> <td>3788</td> </tr> <tr> <td></td> <td>BOTTOM</td> <td>2130</td> </tr> <tr> <td>PANIC</td> <td>TOP</td> <td>4163</td> </tr> <tr> <td></td> <td>BOTTOM</td> <td>2130</td> </tr> <tr> <td></td> <td>OPT. BOTTOM</td> <td>2126A</td> </tr> <tr> <td></td> <td>OPT. BOTTOM</td> <td>4155</td> </tr> </table>	FIRE	TOP	3788		BOTTOM	2130	PANIC	TOP	4163		BOTTOM	2130		OPT. BOTTOM	2126A		OPT. BOTTOM	4155	<p><b>6) VERTICAL RODS (LENGTHS FOR 7'0" OPENINGS)</b></p> <p>TOP ROD = 36-7/8"</p> <p>BOTTOM ROD = 34-5/8"</p>	
FIRE	TOP	3788																		
	BOTTOM	2130																		
PANIC	TOP	4163																		
	BOTTOM	2130																		
	OPT. BOTTOM	2126A																		
	OPT. BOTTOM	4155																		
<p><b>3) LATCHES &amp; BOTTOM BOLTS</b></p>  <p>TOP LATCH      BOTTOM LATCH      BOLT ASSEMBLY</p>																				

- 4) MAKE SURE OUTSIDE TRIM (IF BEING USED) HAS BEEN PROVIDED AND IS THE CORRECT HANDING. SEE PAGE 10, NOTE #4 FOR TRIM CAM POSITION.

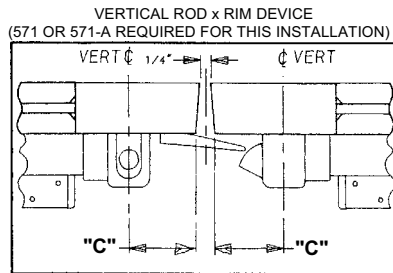
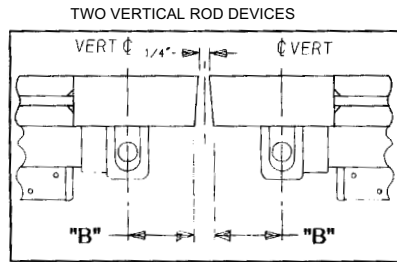
## 2 DOOR LAYOUT

(NOTE: FOR FACTORY PREPARED DOORS, VERIFY LAYOUT.)

- 1) DOOR MUST BE FITTED AND HUNG PROPERLY BEFORE PROCEEDING.
- 2) MARK VERTICAL  $\phi$  AND DEVICE REF.  $\phi$  ON DOOR AND FRAME (SEE FIGURES & CHARTS BELOW).

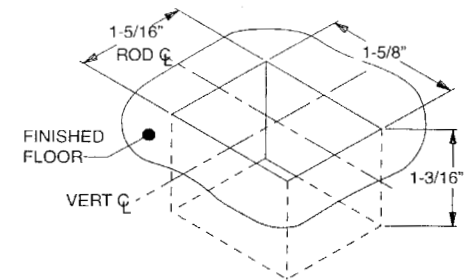
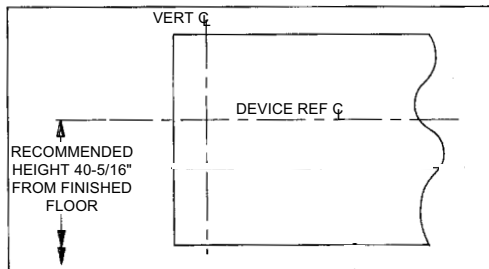
A) VERTICAL  $\phi$  :

INSTALLATION	1-3/4" MIN.	3" MIN.
(F)19-V x (F)19-V	"B"=1-5/16"	"B"=2-1/4"
19-V x 19-R (w/ 571 STRIKE)	-	"C"=2-5/16"
19-V x 19-R (w/ 571-A STRIKE)	-	"C"=1-13/16"



NOTE: 571 & 571-A ARE NOT APPROVED FOR FIRE RATED APPLICATIONS.

B) DEVICE REF  $\phi$ : (HORIZONTAL)



CAVITY PREPARATION FOR  
2130 BOTTOM STRIKE

# 5 REVERSING INSTRUCTIONS

## TO CHANGE THE HANDING OF A 19-V DEVICE

- 1) REMOVE CHASSIS COVER (2 SCREWS, COVER IS NOT SHOWN).
- 2) REMOVE HOUSING **A** (2 SCREWS).
- 3) REMOVE SLIDEBAR LEVER **B** AND DRAWBAR LEVER **C**.
- 4) ROTATE RETRACTOR CAM **D** TO CORRECT POSITION, SEE FIGURE 1 (RHR) OR FIGURE 2 (LHR).  
NOTE: FOR INSTALLATIONS WITH NO TRIM, RETRACTOR CAM **D** SHOULD POINT TOWARDS BOTTOM OF DOOR.
- 5) INVERT DRAWBAR LEVER **B** AND INSTALL ON OPPOSITE PIVOT PIN **E**. SEE FIGURES BELOW.
- 6) INSTALL SLIDE BAR LEVER **B** MAKING SURE TEETH ARE ENGAGED WITH DRAWBAR LEVER **C** AND THAT NUB ON **B** FITS WITHIN SLOT IN **F**.
- 7) REASSEMBLE HOUSING **A** (2 SCREWS).
- 8) PROCEED WITH DEVICE INSTALLATION.

NOTE: RETRACTOR CAM **D** AND DRAWBAR LEVER **C** SHOULD POINT IN THE SAME DIRECTION AND TOWARDS THE TOP OF THE DOOR WHEN DEVICE IS INSTALLED WITH TRIM.

NOTE: A RHR DEVICE REQUIRES RHR TRIM, SEE TRIM INSTALLATION SHEET FOR TRIM REVERSING PROCEDURES.

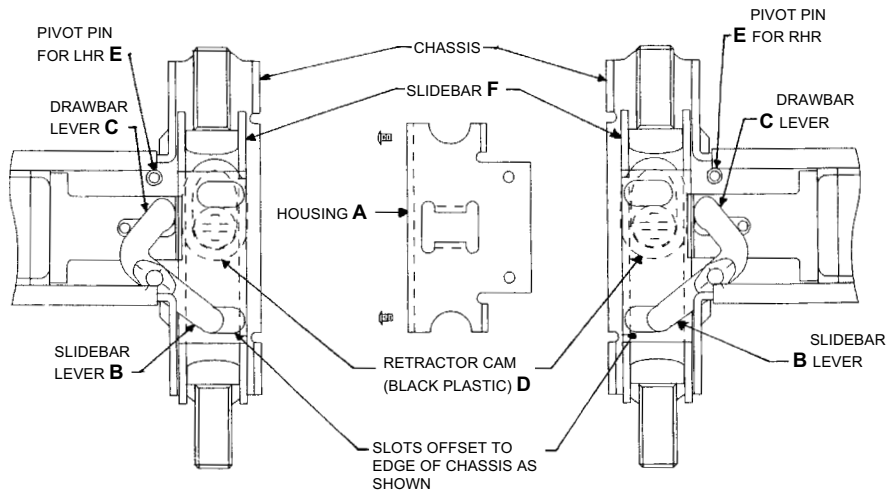
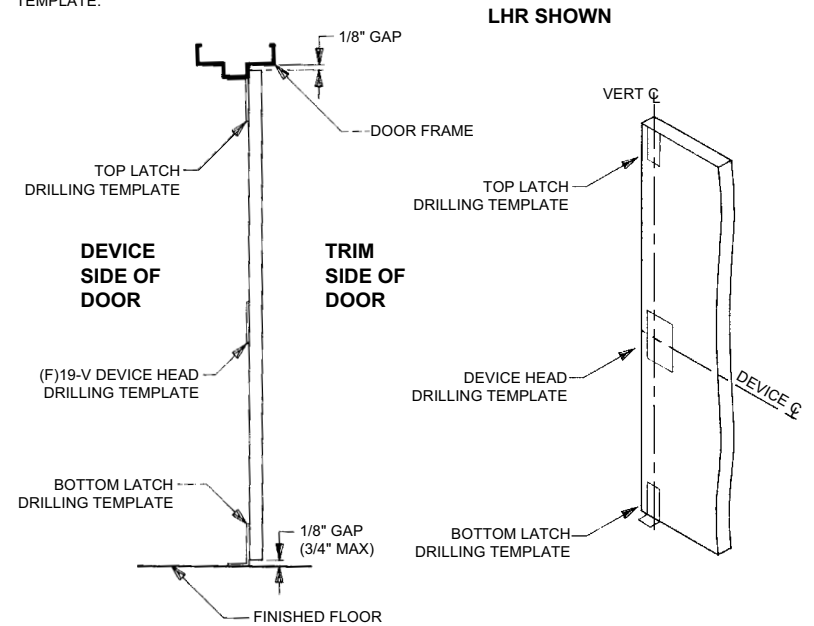


FIGURE 1: RHR

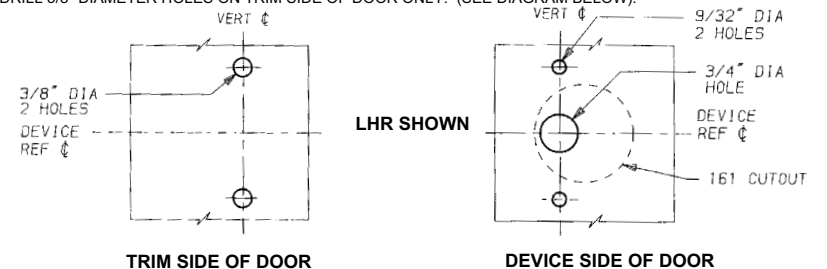
FIGURE 2: LHR

# 3 DOOR & HARDWARE PREPARATION

- 1) REMOVE PAPER TEMPLATES FROM CENTER OF THIS BOOK.
- 2) TAPE DRILLING TEMPLATE ON DOOR AND FRAME USING VERTICAL  $\phi$  AND REF  $\phi$  OF DEVICE (REFER TO **2**). CENTERPUNCH AND DRILL HOLES FOR DEVICE AND STRIKE MOUNTING AFTER DRILLING HOLES, REMOVE DRILLING TEMPLATE.



- 3) USING OUTSIDE TRIM, PREPARE DOOR USING SEPARATE TRIM DIRECTION SHEET. FOR SEXBOLT INSTALLATIONS, DRILL 3/8" DIAMETER HOLES ON TRIM SIDE OF DOOR ONLY. (SEE DIAGRAM BELOW).

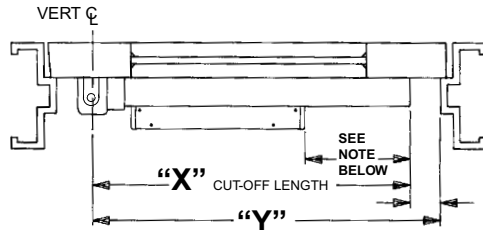


TRIM SIDE OF DOOR

DEVICE SIDE OF DOOR

4) DETERMINE DEVICE LENGTH.

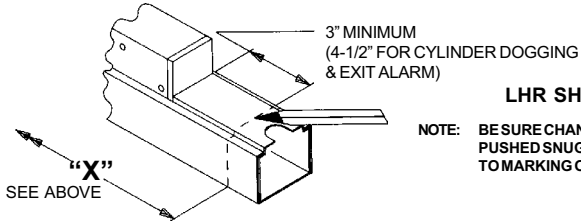
- A) LOCATE VERTICAL  $\phi$  ON DOOR.
- B) MEASURE DISTANCE "Y" FROM VERT.  $\phi$  TO STOP SURFACE ON HINGE SIDE.
- C) SUBTRACT 1" FOR RECOMMENDED CLEARANCE (FOR DOOR STILES LESS THAN 2-3/4" WIDE, SUBTRACT 3/4").
- D) LENGTH OF DEVICE FROM VERT.  $\phi$  TO CUT-OFF LENGTH IS "X".



LHR SHOWN

**NOTE:** FOR STANDARD DOGGING: 3" MIN.  
 FOR CYLINDER DOGGING: 4-1/2" MIN.  
 FOR EXIT ALARM AND ELECTRIC DOGGING: 7" MIN.

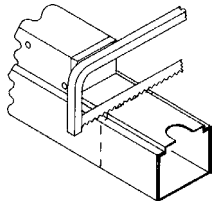
- 5) IF DEVICE IS LONGER THAN "X", CUT THE DEVICE.
- A) MARK DEVICE CHANNEL AND COVER TO LENGTH "X".



LHR SHOWN

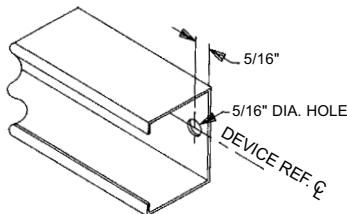
**NOTE:** BE SURE CHANNEL COVER IS PUSHED SNUG TO PUSHBAR PRIOR TO MARKING OR CUTTING TO SIZE

- B) CUT BOTH CHANNEL AND CHANNEL COVER TO MARKED DIMENSION AND REMOVE BURRS.



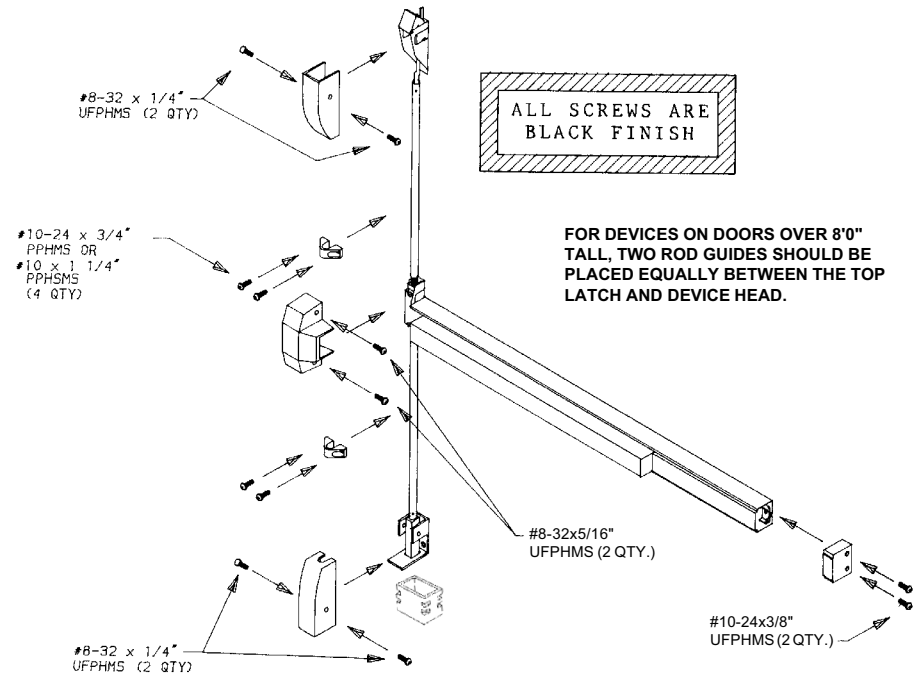
**NOTE:** FACTORY RECOMMENDS SAWING RATHER THAN GRIND CUT TO SIZE. GRINDING CAN DAMAGE THE FINISH OF THE DEVICE AND SAWING RESULTS IN LESS DAMAGE TO THE DEVICES'S FINISH.

- 6) DRILL MOUNTING HOLE.  
 REMOVE CHANNEL COVER AND DRILL 5/16" DIA. HOLE ON DEVICE REF.  $\phi$  5/16" FROM END OF CHANNEL.



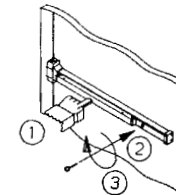
10) APPLY STRIKES & COVERS (NOTE: ALL SCREWS ARE BLACK).

- A) ATTACH COVERS TO CHASSIS AND LATCHES .
- B) INSTALL ROD GUIDES.
- C) SLIDE IN CHANNEL COVER.
- D) ATTACH CHANNEL END CAP.
- E) INSTALL STRIKES TO TOP OF DOOR FRAME AND TO FLOOR OR THRESHOLD.
- F) CHECK FOR SMOOTH OPERATION.



11) CHECK DOGGING OPERATION: (PANIC APPLICATION ONLY)

- A) DEPRESS TOUCHBAR, INSERT AND TURN DOGGING KEY CLOCKWISE TO DOG DEVICE.



LHR SHOWN

- B) REMOVE DOGGING KEY; TOUCHBAR WILL REMAIN DEPRESSED.
- C) REINSERT DOGGING KEY AND TURN IT IN OPPOSITE DIRECTION (COUNTER-CLOCKWISE). PUSH ON TOUCHBAR AND IT WILL "POP OUT."
- D) FOR CYLINDER DOGGING, REFER TO INSTALLATION INSTRUCTION D-4080.

9) VERTICAL ROD ADJUSTMENT.

A) TOP LATCH ADJUSTMENT.

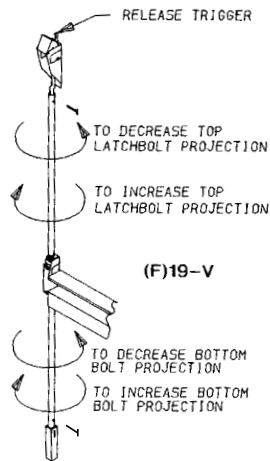
- 1) RELEASE TOP LATCHBOLT USING RELEASE TRIGGER.
- 2) CHECK TOP LATCHBOLT PROJECTION, LATCHBOLT PROJECTION SHOULD BE 5/8" TO 3/4".
- 3) IF THE TOP LATCHBOLT DOES NOT PROJECT THIS MUCH, REMOVE THE COTTER KEY FROM THE TOP ROD AND TURN THE TOP ROD ONE FULL TURN (SEE BELOW). RE-INSERT THE COTTER KEY. RECHECK THE INCREASED LATCHBOLT PROJECTION. REPEAT UNTIL TOP LATCHBOLT PROJECTION IS 5/8" TO 3/4".
- 4) SLOWLY DEPRESS TOUCHBAR; LATCHBOLT SHOULD REMAIN IN RETRACTED POSITION.
- 5) IF LATCHBOLT DOES NOT REMAIN IN RETRACTED POSITION, REMOVE COTTER KEY. DECREASE TOP LATCHBOLT PROJECTION BY ROTATING ROD 1/2 TURN (SEE BELOW).
- 6) RE-INSERT COTTER KEY, REPEAT PROCESS UNTIL LATCHBOLT REMAINS IN RETRACTED POSITION.

B) BOTTOM BOLT ADJUSTMENT (TOP LATCH SHOULD REMAIN IN RETRACTED POSITION).

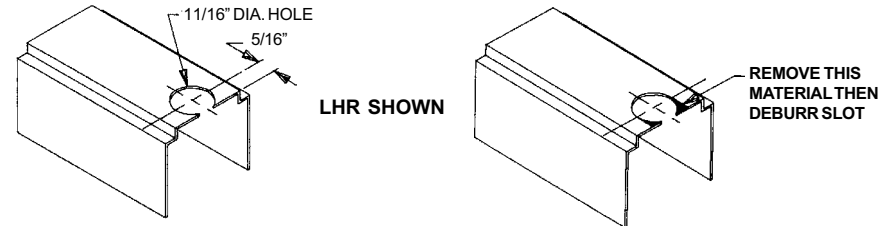
- 1) REMOVE COTTER KEY, ROTATE ROD 1/2 TURN UNTIL BOTTOM BOLT CLEARS FINISHED FLOOR.
- 2) RE-INSERT COTTER KEY.

C) IF TRIM IS BEING USED, OPERATE TRIM AND CHECK FOR FULL LATCHBOLT RETRACTION. IF TOP LATCHBOLT DOES NOT REMAIN IN RETRACTED POSITION, DECREASE TOP AND BOTTOM LATCHBOLT PROJECTION (SEE BELOW).

D) BEND COTTER KEYS AROUND RODS AND RELEASE TOP LATCHBOLT USING RELEASE TRIGGER.



7) PREPARE ACCESS SLOT IN CHANNEL COVER. DRILL AN 11/16" DIA. HOLE 5/16" FROM JUST CUT END OF CHANNEL COVER. REMOVE REMAINING MATERIAL TO COMPLETE SLOT USING A SAW OR FILE.



8) IF DOOR OPENING IS NOT 7'0", DETERMINE TOP ROD LENGTH BASED ON A 40-5/16" DEVICE REF.  $\zeta$  FROM FINISHED FLOOR.

A) FOR DOOR OPENINGS UNDER 7'0":

- 1) SUBTRACT DOOR OPENING FROM 7'0" OPENING.
- 2) SUBTRACT ANSWER FROM PART 1 FROM 36-7/8" TO DETERMINE TOP ROD LENGTH.  
(EXAMPLE : 6'8" DOOR OPENING - 7'0" - 6'8" = 4" 36-7/8"-4"= 32-7/8" TOP ROD)

B) FOR DOOR OPENINGS ABOVE 7'0":

- 1) SUBTRACT 7'0" FROM DOOR OPENING.
- 2) ADD ANSWER FROM PART 1 TO 36-7/8" TO DETERMINE TOP ROD LENGTH.  
(EXAMPLE: 8'10" DOOR OPENING - 8'10"-7'0"=22" 36-7/8"+22"=58-7/8")

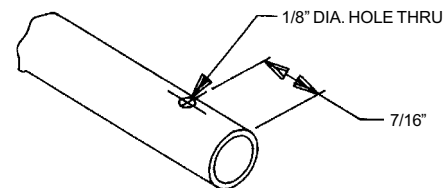
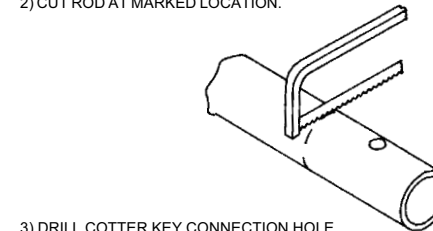
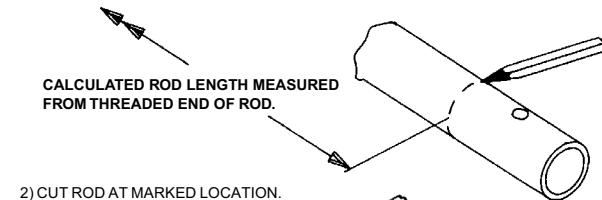
9) MODIFY TOP ROD TO REQUIRED LENGTH.

A) FOR RODS THAT ARE TOO LONG, FOLLOW PROCEDURE BELOW TO CUT ROD TO SIZE.

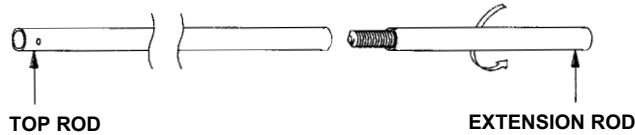
- 1) MARK RODS TO REQUIRED LENGTH.

NOTE: ROD MUST BE MEASURED FROM THREADED PORTION OF ROD.

**DO NOT CUT ROD AT END WITH INTERNAL THREADS.**



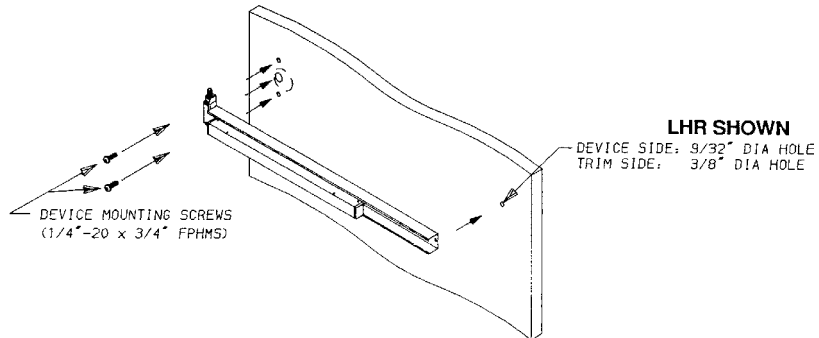
- B) FOR RODS THAT ARE TOO SHORT, FOLLOW PROCEDURE BELOW.  
 1) ATTACH EXTENSION RODS TO THREADED SECTION OF TOP ROD.



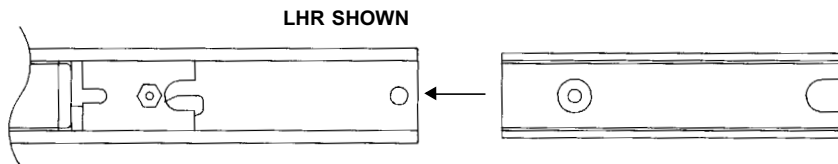
- 2) FOLLOW INSTRUCTIONS TO MARK, CUT & DRILL TOP ROD (SEE STEP 1 OF PART A OF PREVIOUS PAGE).

## 4 HARDWARE INSTALLATION

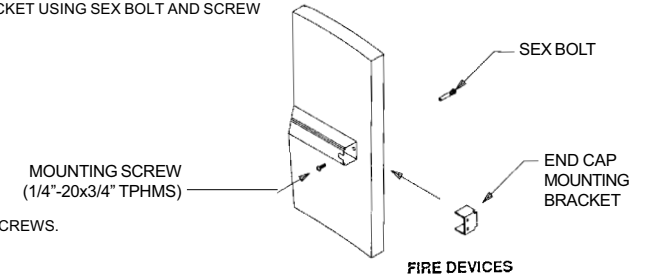
- 1) MOUNT OUTSIDE TRIM (WHEN REQUIRED) PER DIRECTIONS IN TRIM BOX, OR INSTALL OUTSIDE SEX BOLTS.
- 2) MOUNT DEVICE - THROUGHBOLT DEVICE TO TRIM OR SEXBOLTS.
- 3) LOCATE, MARK AND DRILL END CAP MOUNTING HOLE:
  - A) LEVEL DEVICE.
  - B) MARK CENTER OF 5/16" DIA. HOLE AT END OF CHANNEL.
  - C) DRILL 9/32" DIA. HOLE THRU DOOR.
  - D) DRILL 3/8" DIA. HOLE ON TRIM SIDE OF DOOR USING 9/32" DIA. HOLE AS GUIDE.



- 4) INSTALL CHANNEL COVER.

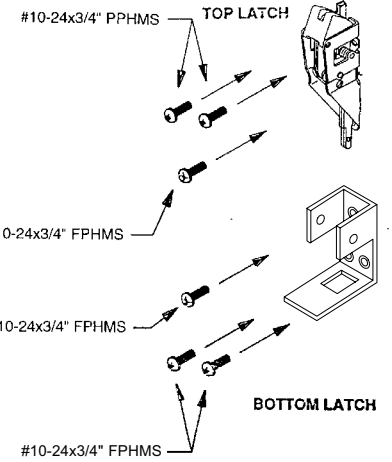
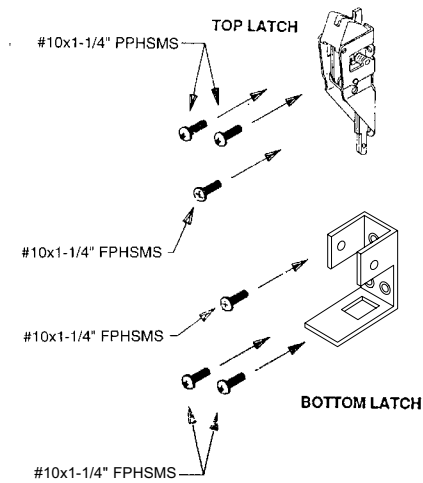


- 5) INSTALL END CAP MOUNTING BRACKET USING SEX BOLT AND SCREW

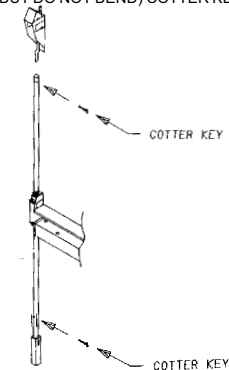


- 6) TIGHTEN ALL DEVICE MOUNTING SCREWS.  
 7) INSTALL TOP & BOTTOM LATCHES.

### PANIC DEVICES



- 8) THREAD RODS ONTO DEVICE CENTERSLIDE. INSERT ROD CONNECTORS FROM TOP LATCH INTO OPPOSITE END OF TOP ROD AND INSERT (BUT DO NOT BEND) COTTER KEY THROUGH ROD AND ROD CONNECTOR. INSERT BOLT ASSEMBLY INTO OPPOSITE END OF BOTTOM ROD AND INSERT (BUT DO NOT BEND) COTTER KEY THROUGH ROD AND BOLT ASSEMBLY.





**FORKLIFT  
& CENTRON TRIM:**

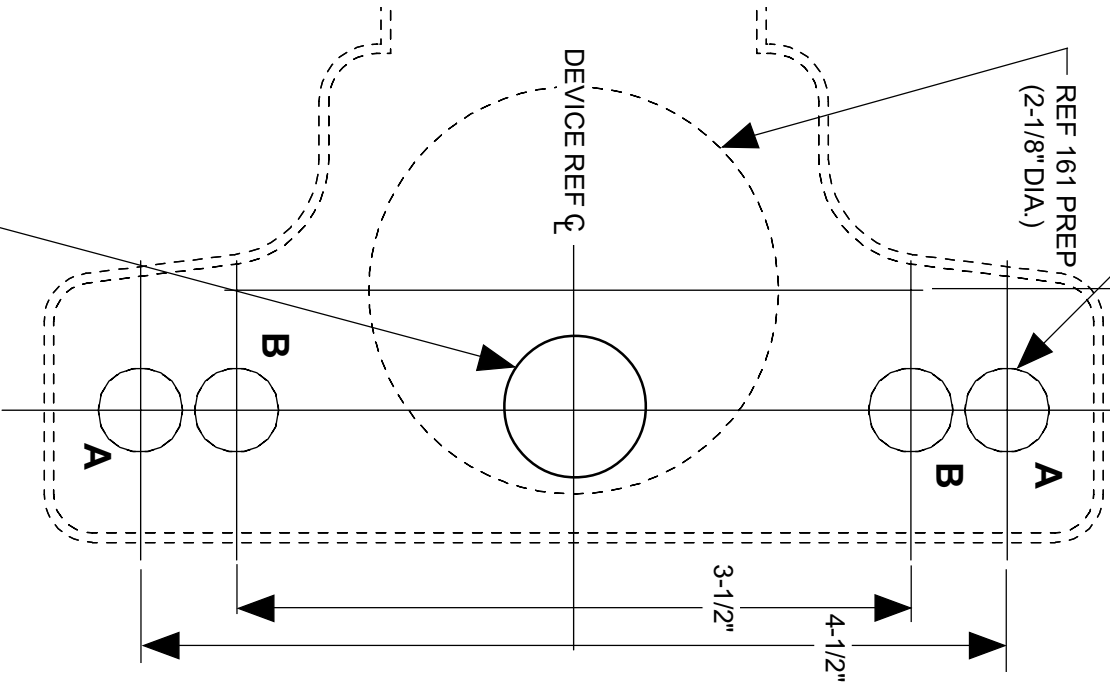
DRILL 9/32" DIA. HOLE VERT C  
FOR THRU-BOLTING AT  
LOCATION "A" (2 HOLES)

FOR ALL OTHER  
APPLICATIONS:

DRILL 9/32" DIA.  
HOLE FOR THRU-BOLTING  
OR DRILL & TAP  
FOR 1/4"-20  
TPHMS AT  
LOCATION "B"  
(2 HOLES)

BACKSET  
SEE PAGE 2  
OF D-1105

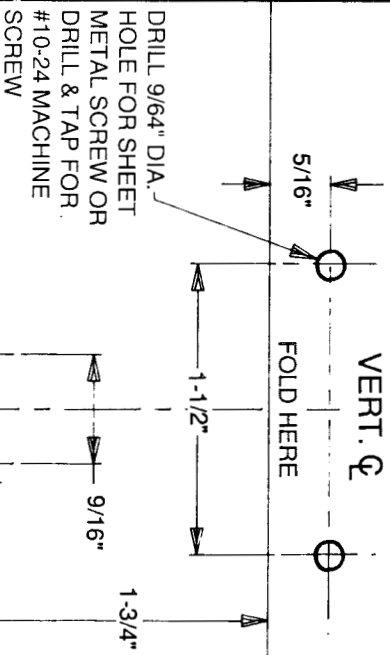
5/8"  
(REF)



3/4" DIA. HOLE  
(X 3/4" DEEP ON EXIT  
ONLY WOOD DOORS)

CUT HERE

CUT HERE

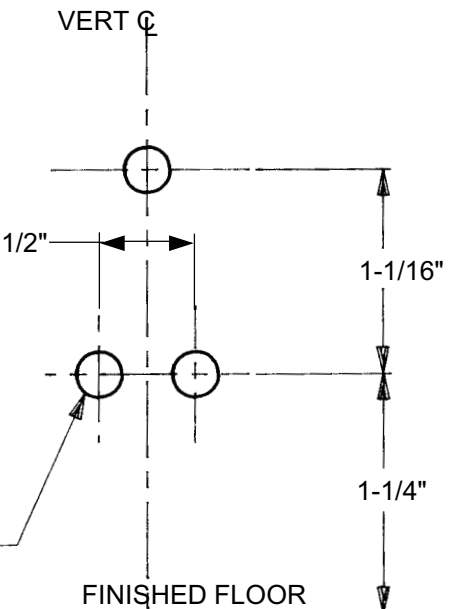


DRILL 9/64" DIA.  
HOLE FOR SHEET  
METAL SCREW OR  
DRILL & TAP FOR  
#10-24 MACHINE  
SCREW OR DRILL  
9/32" DIA. HOLE  
INSIDE AND 3/8" DIA.  
HOLE OUTSIDE FOR  
SEXBOLTS.  
(3 HOLES)

TOP LATCH

CUT HERE

BOTTOM  
LATCH



DRILL 9/64" DIA.  
HOLE FOR SHEET  
METAL SCREWS OR  
DRILL & TAP #10-24  
FOR MACHINE  
SCREWS (3 HOLES)